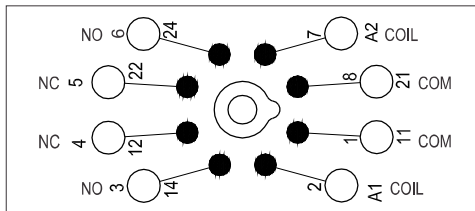


S8LD

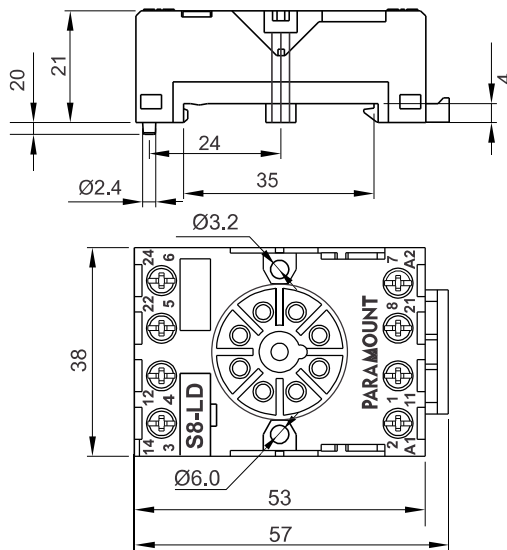
Only
38 mm
WIDE

Socket for P3 2c/o Relay
DIN Rail or Panel Mountable

Wiring diagram



Dimensions in mm



Specifications

Poles: 2 Change Over Contact (8pins)
Nominal load: 10A / 250V

Insulation: Di-electric strength, 1minute
Between contact and coil: 2.5 KV
Between all terminals and DIN Rail: 2.5 KV
Between adjacent terminals: 2.5 KV

Max. screw torque: 0.5 Nm
Screw dimensions: M3, Pozi
Weight Approx.: 47 gms.

Other Aspects

DIN Rail / Panel Mountable
EN / DIN Sequential Numbering according to
EN 60947 & IEC 61810
Integrated Relay Hold Down Clip
Removable White Marking Label

Accessories



S8LD-B1



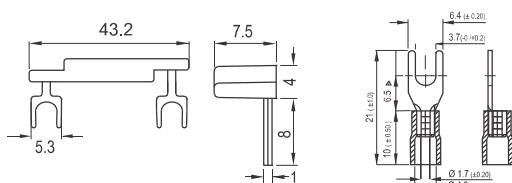
C Terminal

Accessories

S8LD-B1 - 1 Way Bridge

Fork / C - Terminal for wire connection

Dimensions in mm.



S8LD-B1
1 Way Bridge for Coil

Fork / C type crimped Terminal
used for wire connection

Approvals

